

YASKAWA CONTROLS CO., LTD.

MECHATROLINK- II Network Cables

케이블 • 커넥터

Features

High-quality cables can be used to connect segments in a MECHATROLINK-II network to transfer information and signals. A variety of segments, such as host controllers, servo drives, stepping motor drives, inverters, I/O signals, and sensors are available for MECHATROLINK-II networks.

- Strict quality management, from material inspection to production.
- Off-the-shelf cables of standard lengths for quick delivery.
- RoHS-compliant.



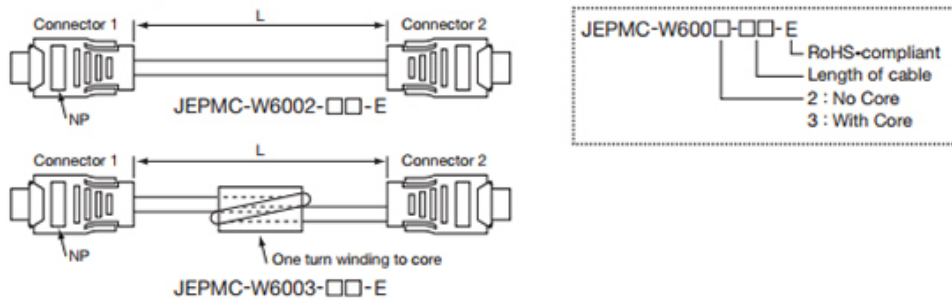
Model:
JEPMC-W6002-□□-E
JEPMC-W6003-□□-E (with ferrite core)

Specifications

Item	Specifications
Transmission Cable	Two-core shielded twisted-pair wire
Cable Color	Black
Maximum Transmission Distance	50m (100m with a repeater.)
Minimum Distance between Stations	0.5m
Terminator	130Ω

Note: For more information, contact our international business dept.

Dimensional Drawings



Contact Information

YASKAWA CONTROLS CO., LTD.

U.S.A. 2121 Norman Drive South Waukegan IL 60085, TEL : +1-847-887-7206 FAX : +1-847-887-7030

USA Hauptstraße 185, 65760 Eschborn, Germany TEL : +49-6196/569-322 FAX : +49-6196/569-398

Representative Office Europe

Overseas Sales Div. c/o Yaskawa Electric Corporation Yukuhashi TEL : +81-930-24-8630 FAX : +81-930-24-8637

Division 2-13-1 Nishimiyaichi, Yukuhashi,

Fukuoka, 824-8511 Japan

URL : <http://yaskawa-control.co.jp/>