

安川控制株式会社

MECHATROLINK-II Network Cable (Flexible Type)

Features

Made under the same strict quality control standards as standard cables, this flexible cable can be used for MECHATROLINK-II communications. It is more flexible than an optical cable and is best suited for wiring with a cable bearer.

- Durable with a fatigue strength of 10 million cycles in U-bend testing.
- Reinforced bending capability between the wire and a connector.
- Can be used with a standard cable, and communicated up to 20 m.
- All flexible cables are RoHS-compliant.



Model:

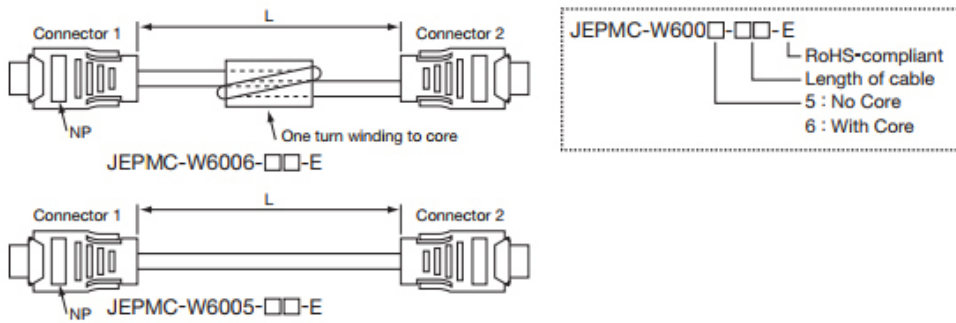
- JEPMC-W6006-05-E (with ferrite core)
- JEPMC-W6006-10-E (with ferrite core)
- JEPMC-W6006-15-E (with ferrite core)
- JEPMC-W6005-05-E (No ferrite core)
- JEPMC-W6005-10-E (No ferrite core)
- JEPMC-W6005-15-E (No ferrite core)

Specifications

Item	Specifications
Transmission Cable	Two-core shielded twisted-pair wire (Flexible type)
Cable Color	Black
Maximum Transmission Distance	20 m (when using flexible cable)
Minimum Distance between Distance	0.5 m
Terminator	130Ω

*: For more information, contact your Yaskawa Controls sales representative.

Dimensional Drawings



Contact Information

安川控制株式会社

营业 (九州)	福冈县行桥市西宫市2丁目13番1号 (株) 安川电机行桥事务所内	TEL : +81-903-24-8630	FAX : +81-930-24-8637
营业 (西部)	大阪府大阪市淀川区西中岛6丁目1番1号 新大阪 Prime tower13楼	TEL : +81-6-6337-8102	FAX : +81-6-6337-4513
营业 (东部)	东京都千代田区饭田桥1丁目3番2号曙杉馆大厦6层	TEL : +81-3-3263-5611	FAX : +81-3-3263-5625

URL : <http://yaskawa-control.co.jp/>