

安川控制株式会社

MECHATROLINK-III Network Cables

Features

High-quality cables can be used to connect segments in a MECHATROLINK-III network to transfer information and signals. A variety of segments, such as host controllers, servo drives, stepping motor drives, inverters, I/O signals, and sensors are available for MECHATROLINK-III networks.

- Strict quality management, from material inspection to production.
- RoHS-compliant.



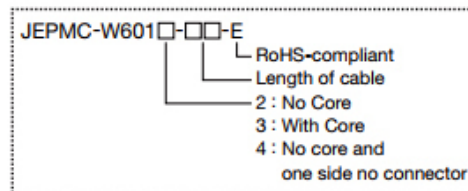
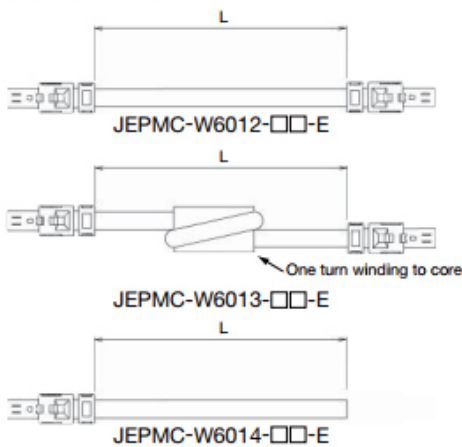
Model: JEPMC-W6012-□□-E
JEPMC-W6013-□□-E
JEPMC-W6014-□□-E

Specifications

| Item | Specifications |
|-----------------------------------|---|
| Transmission Cable | Four a-core shielded twisted-pair wire Category-5 E |
| Cable Color | Blue |
| Maximum Transmission Distance | 100m |
| Minimum Distance between Stations | 0.2m |
| Connector | IMI connectors use |

Note: For more information, contact our international business dept.

Dimensional Drawings



We provide various kinds of cables attached RJ-45 connector for MECHATROLINK-III networks. For more information, contact our international business dept.

Contact Information

安川控制株式会社

营业 (九州)

福岡県行橋市西宮市2丁目13番1号 (株) 安川电机行橋事務所内

TEL : +81-903-24-8630

FAX : +81-930-24-8637

营业 (西部)

大阪府大阪市淀川区西中岛6丁目1番1号 新大阪 Prime tower13楼

TEL : +81-6-6337-8102

FAX : +81-6-6337-4513

营业 (东部)

東京都千代田区饭田桥1丁目3番2号曙杉馆大厦6层

TEL : +81-3-3263-5611

FAX : +81-3-3263-5625

URL : <http://yaskawa-control.co.jp/>