

Features

High-quality cables can be used to connect segments in a MECHATROLINK-II network to transfer information and signals. A variety of segments, such as host controllers, servo drives, stepping motor drives, inverters, I/O signals, and sensors are available for MECHATROLINK-II networks.

- Strict quality management, from material inspection to production.
- Off-the-shelf cables of standard lengths for quick delivery.
- RoHS-compliant.



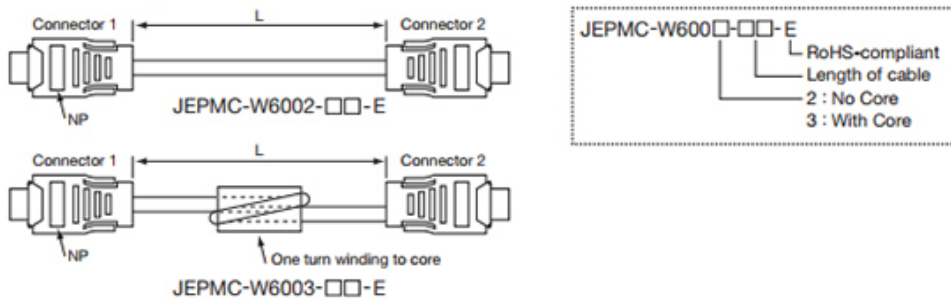
Model:
JEPMC-W6002-□□-E
JEPMC-W6003-□□-E (with ferrite core)

Specifications

Item	Specifications
Transmission Cable	Two-core shielded twisted-pair wire
Cable Color	Black
Maximum Transmission Distance	50m (100m with a repeater.)
Minimum Distance between Stations	0.5m
Terminator	130Ω

Note: For more information, contact our international business dept.

Dimensional Drawings



Contact Information

安川控制株式会社

营业 (九州)	福岡県行橋市西宮市2丁目13番1号 (株) 安川電機行橋事務所内	TEL : +81-903-24-8630	FAX : +81-930-24-8637
营业 (西部)	大阪府大阪市淀川区西中島6丁目1番1号 新大阪 Prime tower13楼	TEL : +81-6-6337-8102	FAX : +81-6-6337-4513
营业 (东部)	東京都千代田区飯田橋1丁目3番2号曙杉館大廈6层	TEL : +81-3-3263-5611	FAX : +81-3-3263-5625

URL : <http://yaskawa-control.co.jp/>