

安川控制株式会社

MECHATROLINK- II Network Cable (Flexible Type)

Features

Made under the same strict quality control standards as standard cables, this flexible cable can be used for MECHATROLINK- II communications. It is more flexible than an optical cable and is best suited for wiring with a cable bearer.

- Durable with a fatigue strength of 10 million cycles in U-bend testing.
- Reinforced bending capability between the wire and a connector.
- Can be used with a standard cable, and communicated up to 20 m.
- All flexible cables are RoHS-compliant.



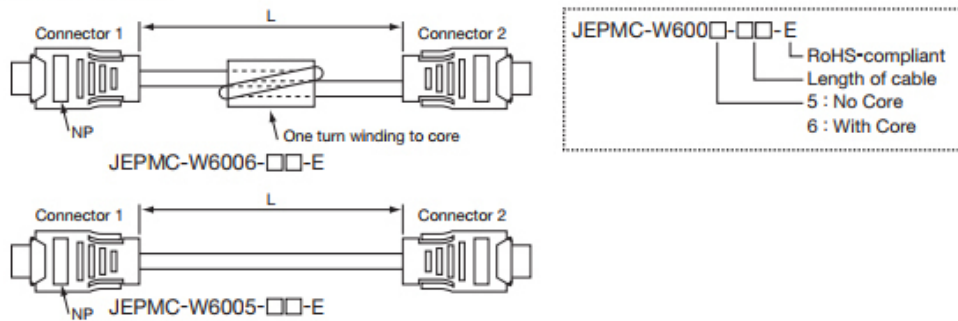
Model:
 JEPMC-W6006-05-E (with ferrite core)
 JEPMC-W6006-10-E (with ferrite core)
 JEPMC-W6006-15-E (with ferrite core)
 JEPMC-W6005-05-E (No ferrite core)
 JEPMC-W6005-10-E (No ferrite core)
 JEPMC-W6005-15-E (No ferrite core)

Specifications

| Item | Specifications |
|-----------------------------------|---|
| Transmission Cable | Two-core shielded twisted-pair wire (Flexible type) |
| Cable Color | Black |
| Maximum Transmission Distance | 20 m (when using flexible cable) |
| Minimum Distance between Distance | 0.5 m |
| Terminator | 130Ω |

*: For more information, contact your Yaskawa Controls sales representative.

Dimensional Drawings



Contact Information

安川控制株式会社

| | | | |
|---------|--|-----------------------|-----------------------|
| 营业 (九州) | 福岡県行橋市西宮市2丁目13番1号 (株) 安川電機行橋事務所内 | TEL : +81-903-24-8630 | FAX : +81-930-24-8637 |
| 营业 (西部) | 大阪府大阪市淀川区西中島6丁目1番1号 新大阪 Prime tower13楼 | TEL : +81-6-6337-8102 | FAX : +81-6-6337-4513 |
| 营业 (东部) | 東京都千代田区飯田橋1丁目3番2号曙杉馆大厦6层 | TEL : +81-3-3263-5611 | FAX : +81-3-3263-5625 |

URL : <http://yaskawa-control.co.jp/>